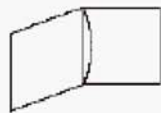

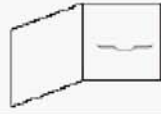







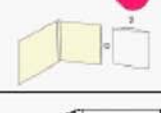









D I G I S L E E V E CD format


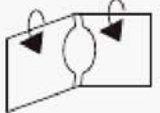
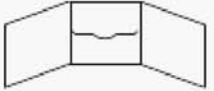
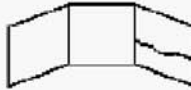
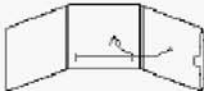

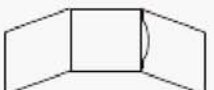
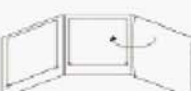
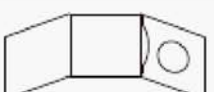


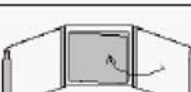

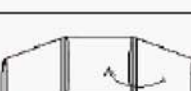
By the models marked **A / B** cutting tool is available and this cutting tool is free of charge. The price for the other models will be counted according to a calculation. Further technical specifications will be provided individually in case of realization of your demands

	DSCD 1-A	1 disc, glulam flap.	A
	DSCD 1-B	1 disc, glulam flap, thumb die-cut slot (2. flap).	A
	DSCD 1-C	1 disc in die-cut slot, glulam flap (2. flap).	A
	DSCD 1-D	1 disc, die-cut slot for booklet up to 24 pgs.	A
	DSCD 1-D A	1 disc, die-cut slot for booklet up to 24 pgs width 60mm.	
	DSCD 1-E	1 disc on clip (1. flap), pocket for booklet up to 24 pgs.	A
	DSCD 1-F	1 disc, non-glulam flap, arc cut-away pocket (2. flap).	A
	dscd 1-G	1 disc on paste clip.	A
	DSCD 1-H	1 disc, non-glulam flap, arc half-size pocket (2. flap), booklet up to 32 pgs pasted in.	A
	DSCD 1-I	1 disc, glulam flap, input from outside	A
	DSCD 1-J	1 disc in paper envelope inserted to right pocket.	A
	DSCD 1-K	1 disc in die-cut slot (2. flap), die-cut slot from booklet up to 24 pgs (1. flap).	A
	DSCD 2-D-MED	2 discs in carton wallet inserted in right and left pocket.	
	DSCD 2-A	2 discs, thumb die-cut slots from inside, horizontally pasted-in.	
	DSCD 2-B	2 discs, thumb die-cut slots from inside, vertically pasted-in.	A
	DSCD 2-C	2 discs, vertical glued pockets.	A



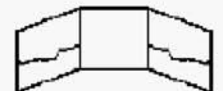








D I G I S L E E V E

CD format

	DSCD 2-D	2 discs in die-cut slots.	A
	DSCD 2-E	2 discs, arc die-cut slots, vertically pasted-in.	
	DSCD 3/1-A	1 disc in die-cut slot (2. flap), glulam flaps.	A
	DSCD 3/1-B	1 disc in die-cut slot (3. flap), glulam flaps.	A
	DSCD 3/1-C	1 disc in pocket with thumb die-cut slot (3. flap), die-cut slot for booklet (2. flap).	A
	DSCD 3/1-D	1 disc in die-cut slot (2. flap), die-cut slot from booklet up to 24 pgs (1. flap)	A
	DSCD 3/1-E	1 disc in pocket with big thumb die-cut slot (3. flap).	
	DSCD 3/1-F	1 disc in pocket (3. flap), die-cut slots for booklets up to 24 pgs (1. and 2. flap).	A
	DSCD 3/1-G	1 disc in pocket (3. flap), big thumb die-cut slot, circular die-cut slot on pocket.	
	DSCD 3/2-A	2 discs in pockets with thumb die-cut slots (1. and 3. flap), die-cut slot for booklet up to 24 pgs (2. flap).	A
	DSCD 3/2-B	2 discs in die-cut slots (1. and 2. flap), glulam flap.	A
	DSCD 3/2-C	2 discs on pockets on carton wallet PCD 1-A from outside, glued booklet (2. flap).	A
	DSCD 3/2-D	2 discs on pockets on carton wallet PCD 1-A from outside.	A
	DSCD 3/2-E	2 discs on pockets on carton wallet PCD 1-A from outside, through pocket for booklet (2. flap).	

By the models marked **A / B** cutting tool is available and this cutting tool is free of charge. The price for the other models will be counted according to a calculation. Further technical specifications will be provided individually in case of realization of your demands

D I G I S L E E V E CD formát

	DSCD 3/2-G	2 discs die-cut slots (1 + 3. flap), glulam flap.	A
	DSCD 4/1-A	1 disc, die-cut slot (3.flap).	A
	DSCD 4/2P-A	2 discs, die-cut slots (2.+ 3. flap).	A
	DSCD 4/5A	5 discs on transversal die-cut slots (2.+ 3.+ 4. flap).	A
	DSA5 1-A	1 disc in die-cut slot, glulam flap.	
	DSA5 1-B	1 disc in die-cut slot, non-glulam flap.	
	DSA5 1-C	1 disc on pasted-in clip, format 147 x 210 mm, 4 mm spine.	
	DSA5 2/1P-1	1 disc, die-cut slot (2. flap) format 147 x 210 mm.	
	DS8CD 3/1-A	1 disc 8 cm. on pasted-in clip, format 90 x 120 mm, non-glulam flap.	

By the models marked **A / B** cutting tool is available and this cutting tool is free of charge. The price for the other models will be counted according to a calculation. Further technical specifications will be provided individually in case of realization of your demands